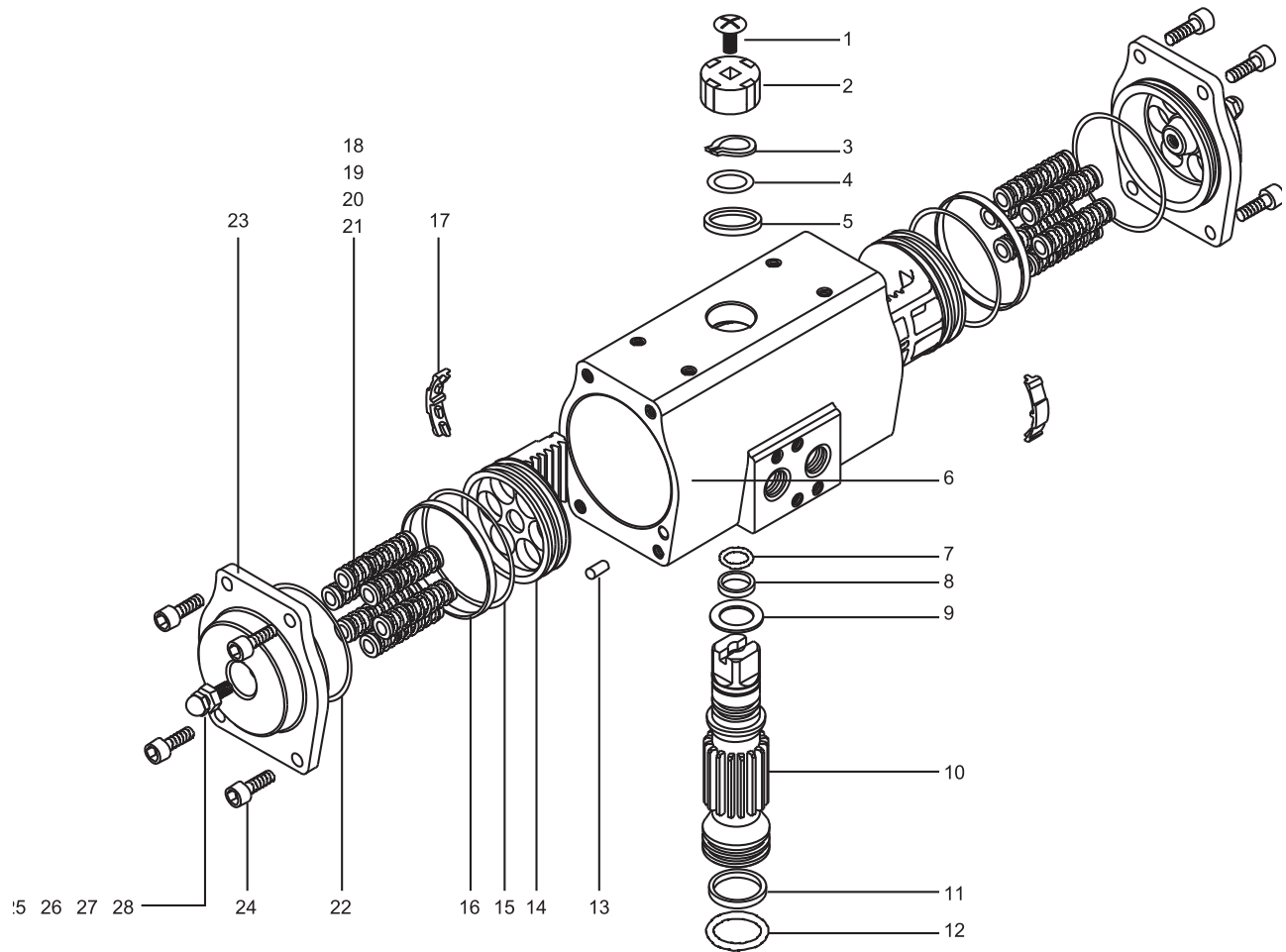


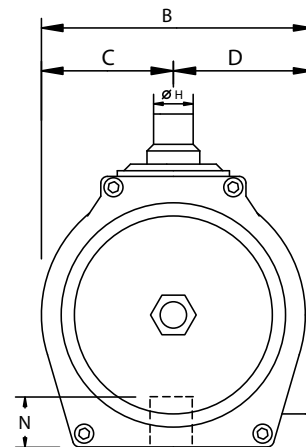
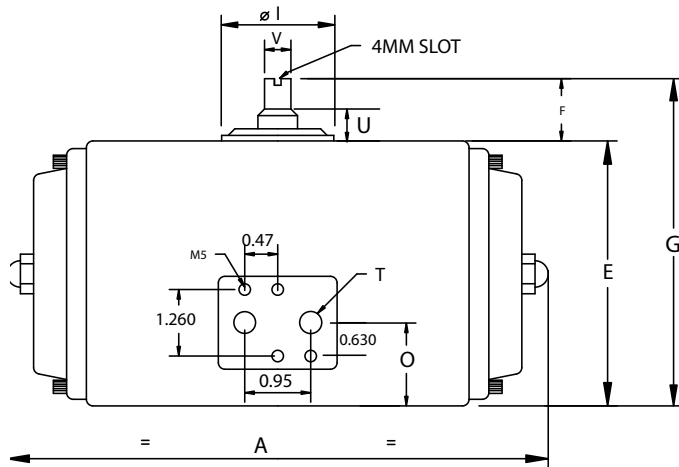
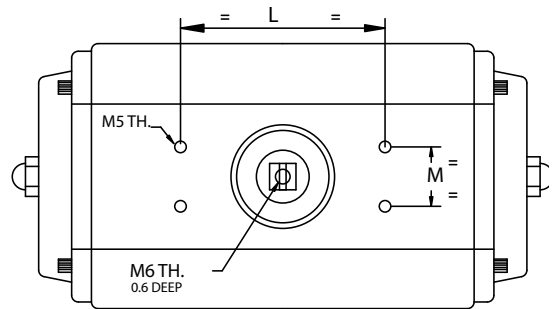
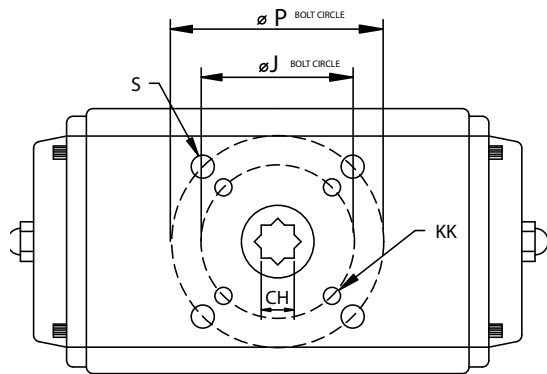
# BI-TORQ BI-SS PARTS BREAKDOWN



PART #	NAME	MATERIAL	QTY
1	BODY	SS	1
2	PISTON	SS	2
3	END CAPS	SS	2
4	PINION	SS	1
5	GUIDE BEARING	NYLON 6	1
6	PINION BEARING (TOP)	TFE	1
7	PINION BEARING (BOTTOM)	TFE	1
8	SNAP RING	SS	1
9	O-RING (INNER TOP)	VITON®	1
10	O-RING (OUTER TOP)	VITON®	1
11A	WASHER	SS	1
11B	BEARING	NYLON 6	1
12	O-RING (INNER BOTTOM)	VITON®	1
13	O-RING (OUTER BOTTOM)	VITON®	1
14	O-RING (PISTON)	VITON®	2

PART #	NAME	MATERIAL	QTY
15	PISTON BEARING	NYLON 6	2
16	O-RING (END CAP)	VITON®	2
17A	BOLTS (END CAP)	SS	8
17B	LOCK WASHER	SS	8
18	TRAVEL STOP	SS	2
19	O-RING (TRAVEL STOP)	VITON®	2
20A	WASHER	SS	2
20B	NUT (TRAVEL STOP)	SS	2
21	RETAINING NUT	SS	2
22	SPRING RETAINER	NYLON 6	*
23	SPRING	PLATED CS	*
24	SPRING	PLATED CS	*
25	SPRING SCREW	SS	*
26	SPRING NUT	SS	*
27	POSITION INDICATOR	NYLON	1
28	PORT PLUG	NYLON 6	2

# BI-TORQ BI-SS DIMENSIONAL DATA



MODEL	A	B	C	D	E	F	G	CH	J
SS-45	7.56	2.56	1.15	1.15	2.56	0.787	3.34	0.433	1.42
SS-60	7.34	2.92	1.39	1.39	3.18	0.787	3.97	0.551	1.97
SS-85	8.37	3.97	1.91	1.91	4.24	0.787	5.03	0.669	1.97
SS-105	10.53	4.75	2.29	2.29	5.23	0.787	6.02	0.866	2.76
SS-125	12.20	5.39	2.69	2.69	6.09	1.181	7.27	0.866	2.76
SS-140	19.29	6.26	3.11	3.11	6.89	1.181	8.07	1.063	4.02
SS-160	21.10	6.85	3.43	3.42	7.76	1.181	8.94	1.063	4.02

## ACTUATOR WEIGHTS

MODEL	DA (LBS.)	SR (LBS.)
SS45	5.0	5.5
SS60	8.0	8.5
SS85	14	14.5
SS105	25.5	27.0
SS125	38.5	40.5
SS140	63.5	65.5
SS160	80.0	83.0

NOTE: Inserts and adapters are available for mounting to a variety of ISO and non-ISO mount valves.

MODEL	L	N	M	P	S	T	V	KK
SS-45	3.15	0.58	1.181	1.97	M6 x 10	1/4" NPT	0.633	M5 x 8
SS-60	3.15	0.59	1.181	N/A	M6 x 10	1/4" NPT	0.633	---
SS-85	3.15	0.66	1.181	2.76	M8 x 13	1/4" NPT	0.635	M6 x 10
SS-105	3.15	0.77	1.181	N/A	M8 x 13	1/4" NPT	0.629	---
SS-125	5.12	0.97	1.181	4.02	M10 x 16	1/4" NPT	0.865	M8 x 13
SS-140	5.12	1.18	1.181	4.92	M12 x 20	1/4" NPT	0.865	M10 x 16
SS-160	5.12	1.18	1.181	4.92	M12 x 20	1/4" NPT	0.865	M10 x 16