



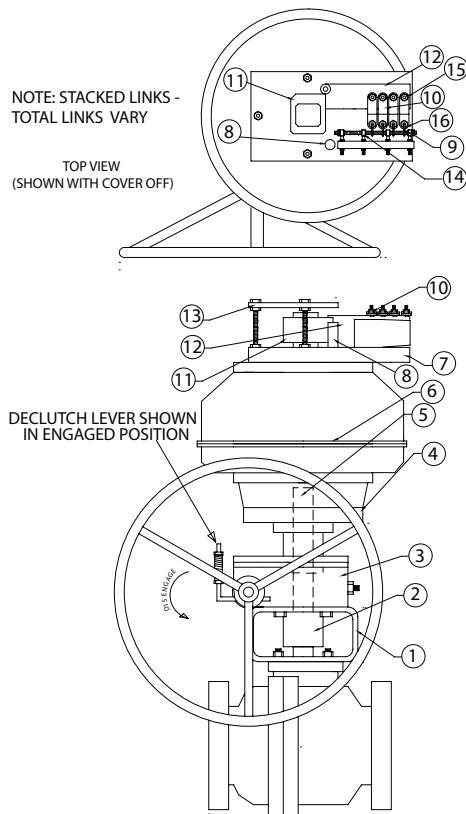
**BT SERIES** FOR VALVES UP TO 21,000 INCH POUNDS OF TORQUE

**BT SERIES FEATURES**

- FOR FIRE SAFE BALL, PLUG VALVES, AND BUTTERFLY VALVE SIZES DEPENDING ON VALVE TORQUE, MEDIA AND LINE PRESSURE
- PROVIDES AUTOMATIC CLOSURE IN THE EVENT OF FIRE
- VALVE CAN BE OPERATED MANUALLY WITH DECLUTCHABLE GEAR AFTER DISARMING
- SOLDERED FUSIBLE LINKS AVAILABLE IN A VARIETY OF TEMPERATURES
- API 607 FIRE SAFE BALL OR BUTTERFLY VALVES AVAILABLE AS PART OF A PACKAGE



The BT series assembly uses a declutchable gear to manually operate the valve after disarming.



1	valve mounting bracket	9	fusible link retaining rod
2	valve coupler	10	fusible links (8)
3	declutchable override gear	11	spring pack stop assembly
4	spring pack mounting plate	12	locking trigger
5	spring pack/declutch coupler	13	safety cover plate
6	spring pack (14x, 14, 15, 16, 18)	14	rod end bearings
7	arming device mounting plate	15	shoulder bolts
8	safety stop pin	16	SupaLoops

**HEAVY DUTY SPRING PACK**

The armed spring pack features weatherproof sealed spring housing and corrosion resistant epoxy paint. The reliable low stress clock springs assure quick closing action when the fusible links yield.

**CUSTOMIZED MOUNTING HARDWARE**

A heavy-duty gauge bracket and top plate provide the durable, secure construction that AVK Carbo-Bond products are known for. An all stainless bracket, coupling, arming plate and hardware kit also are available.

**FACTORY ASSEMBLED**

All BI-TORQ thermal shutdown fire safe assemblies are assembled by factory-trained personnel. The units then are armed with a protective safety link for shipping purposes.

**DECLUTCHABLE MANUAL OVERRIDE**

The BT-series features a declutchable gear operator to arm the assembly or to operate the valve once the links are disengaged.

**RELIABLE FUSIBLE LINKS**

BI-TORQ fusible links are designed to remain secure until releasing the spring pack when the desired temperature is reached. Soldered type fusible links are available in these temperature ranges:

LINK PART NUMBER	LINK YIELD TEMPERATURE	MAXIMUM AMBIENT TEMPERATURE
314165	165°F/74°C	135°F/57°C
314212	212°F/100°C	185°F/82°C
314280	286°F/138°C	253°F/123°C
314360	360°F/182°C	330°F/166°C

*Please consult factory for special order links*