



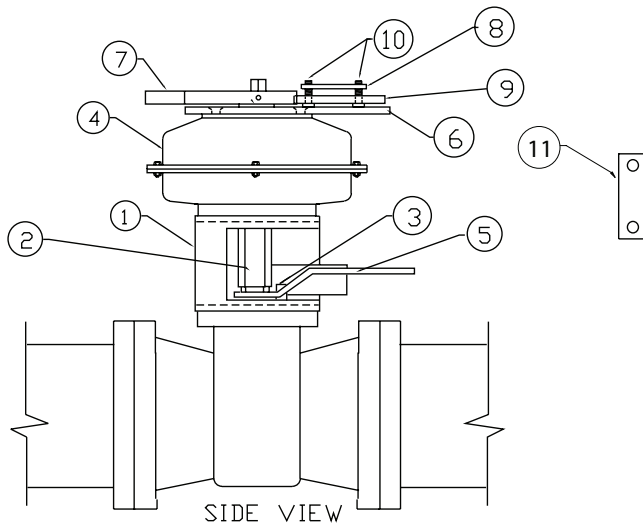
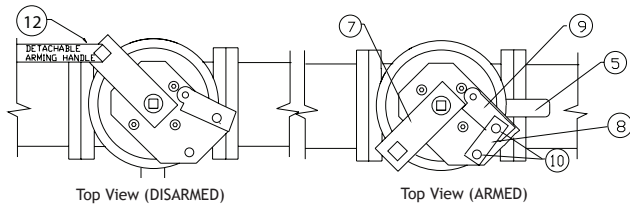
MT SERIES FOR VALVES UP TO 830 INCH POUNDS OF TORQUE



MT-Series assembly shown with red safety link installed

MT SERIES FEATURES

- FOR MID-SIZED FIRE SAFE BALL AND PLUG VALVES DEPENDING ON VALVE TORQUE, MEDIA AND LINE PRESSURE
- PROVIDES AUTOMATIC CLOSURE IN THE EVENT OF FIRE
- VALVE CAN BE OPERATED MANUALLY EVEN WHILE ARMED
- SOLDERED FUSIBLE LINKS AVAILABLE 165° F THRU 360° F
- AVAILABLE WITH API 607 FIRE SAFE BALL VALVES WITH ANSI FLANGES, SOCKET WELD AND NPT ENDS, OR BUTTERFLY VALVES
- FM APPROVED ACTUATOR



1	valve mounting bracket	7	arming lever
2	spring closing arm	8	fusible link (1)
3	valve stop	9	lever retaining arm
4	spring pack (07)	10	retaining studs
5	valve handle	11	safety link (for shipping only)
6	fusible link mounting plate	12	detachable arming handle

HEAVY DUTY SPRING PACK

The armed spring pack features weatherproof sealed spring housing and corrosion resistant epoxy paint. The reliable low stress clock springs assure quick closing action when the fusible links yield.

CUSTOMIZED MOUNTING HARDWARE

A heavy-duty gauge bracket and stainless steel top plate provide the durable, secure construction that BI-TORQ® Valve Automation products are known for. An all stainless bracket, coupling, arming plate and hardware kit also are available.

FACTORY ASSEMBLED

All BI-TORQ® Valve Automation fusible link assemblies are assembled by factory-trained personnel. The units then are armed with a protective safety link for shipping purposes.

RELIABLE FUSIBLE LINKS

BI-TORQ® Valve Automation fusible links are designed to remain secure until releasing the spring pack when the desired temperature is reached. Soldered fusible links are available in these temperature ranges:

LINK PART NUMBER	LINK YIELD TEMPERATURE	MAXIMUM AMBIENT TEMPERATURE
FL-1-165	165° F/74° C	135° F/57° C
FL-1-212	212° F/100° C	185° F/82° C
FL-1-286	286° F/138° C	253° F/123° C
FL-1-360	360° F/182° C	330° F/166° C

Please consult factory for special order links

NOTE: Links should be replaced on an annual basis as part of a regular maintenance program. Links are not rated for use in corrosive atmospheres.

The policy of BI-TORQ Valve Automation is one of continuous improvement. We reserve the right to alter the product as described and illustrated without notice.