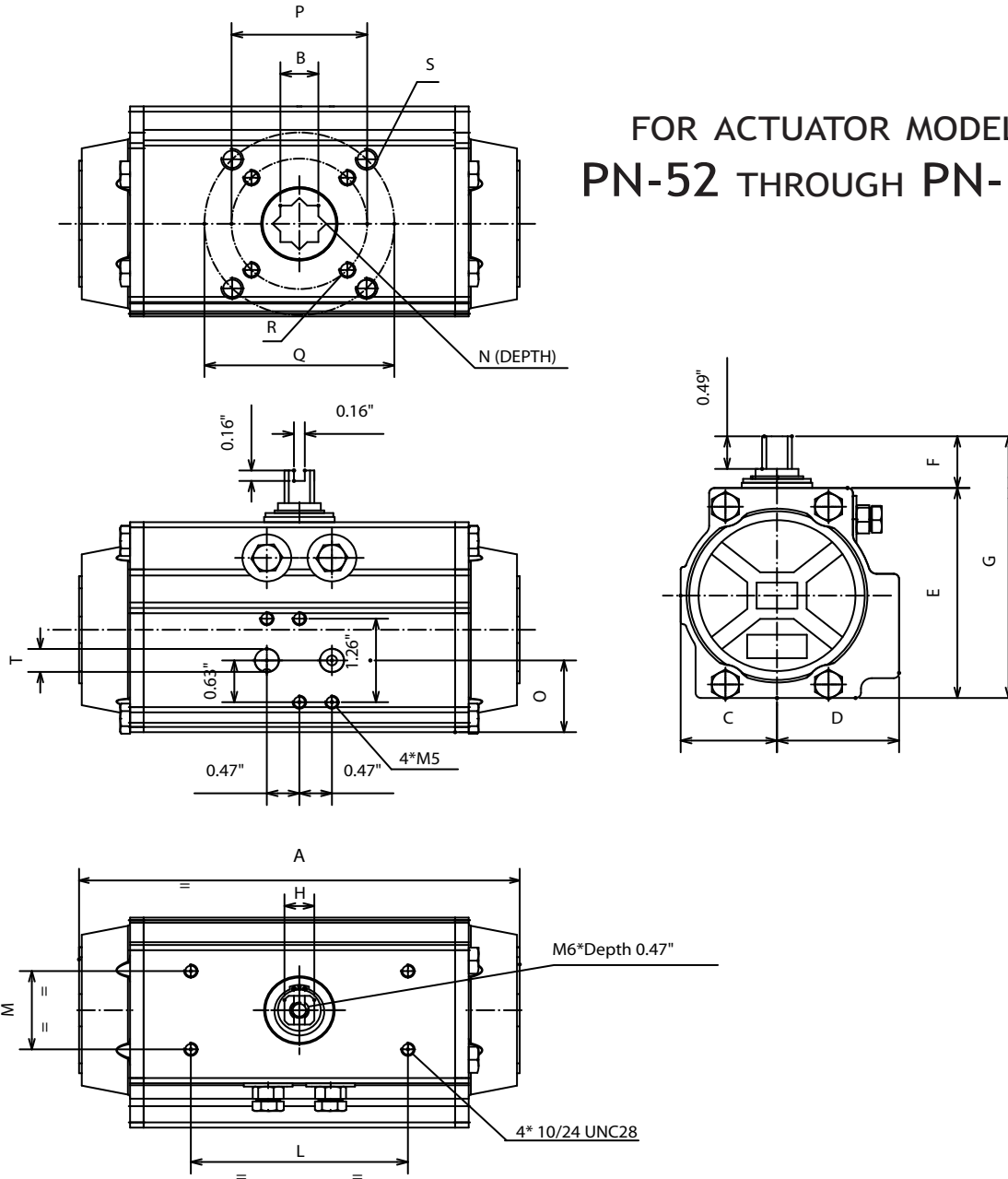


BI-TORQ PN SERIES DIMENSIONAL DATA

FOR ACTUATOR MODELS
PN-52 THROUGH PN-140

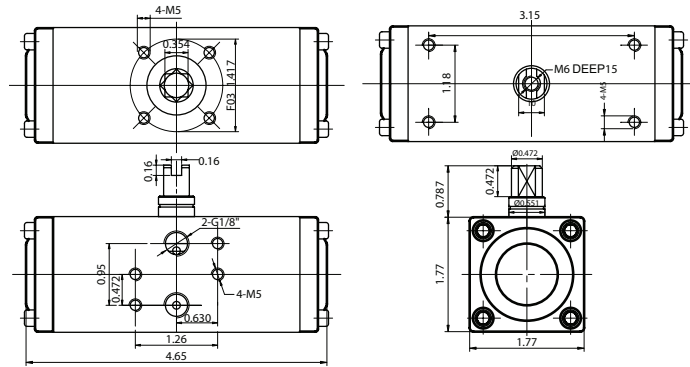


	ISO 5211	A	B	C	D	E	F	G	H	L	M	N	O	P	Q	R (UNC)	S (UNC)	T (NPT)
PN-52	F03/F05	5.49	0.43	1.18	1.61	2.74	0.79	3.52	0.43	3.15	1.18	0.47	1.04	1.42	1.97	10-24 X 0.35	1/4-20 X 0.35	1/8"
PN-63	F05/F07	6.38	0.55	1.40	1.77	3.17	0.79	3.96	0.43	3.15	1.18	0.63	1.08	1.97	2.76	1/4-20 X 0.31	5/16-18 X 0.47	1/8"
PN-75	F05/F07	8.15	0.67	1.65	2.07	3.82	0.79	4.61	0.67	3.15	1.18	0.75	1.38	1.97	2.76	1/4-20 X 0.31	5/16-18 X 0.47	1/8"
PN-85	F05/F07	9.65	0.67	1.93	2.36	4.55	0.79	5.33	0.67	3.15	1.18	0.75	1.81	1.97	2.76	1/4-20 X 0.31	5/16-18 X 0.47	1/8"
PN-100	F07/F10	10.69	0.67	2.17	2.68	4.78	0.79	5.57	0.67	3.15	1.18	0.81	1.97	2.76	4.02	5/16-18 x 0.31	3/8-16 x 0.55	1/4"
PN-115	F07/F10	12.91	0.87	2.52	2.87	5.57	1.18	6.75	1.06	5.12	1.18	0.94	1.97	2.76	4.02	5/16-18 x 0.47	3/8-16 x 0.55	1/4"
PN-125	F07/F10	14.41	0.87	2.68	3.15	6.04	1.18	7.22	1.06	5.12	1.18	0.94	2.40	2.76	4.02	5/16-18 x 0.47	3/8-16 x 0.59	1/4"
PN-140	F10/F12	15.79	1.06	3.09	3.54	7.05	1.18	8.23	1.06	5.12	1.18	0.94	2.87	4.02	4.92	3/8-16 x 0.59	1/2-13 x 0.71	1/4"

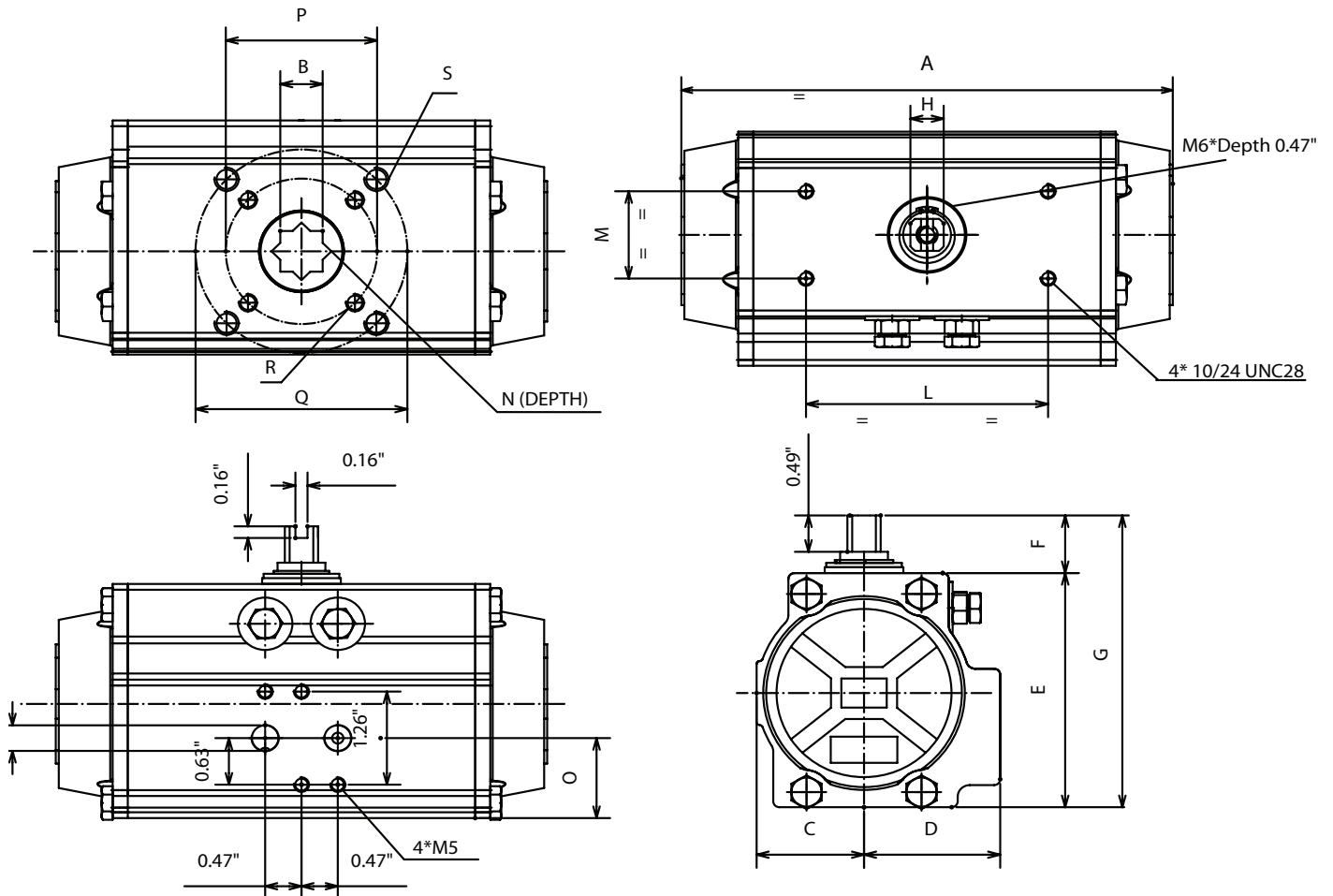
BI-TORQ PN SERIES DIMENSIONAL DATA

MODEL PN-32DA

NAMUR SOLENOID BLOCK REQUIRED FOR PN-32DA



MODELS PN-161 THROUGH PN-271



	ISO 5211	A	B	C	D	E	F	G	H	K	L	M	N	O	P	Q	R (UNC)	S (UNC)	T (NPT)
PN-161	F10-F12	16.93	1.06	3.41	3.94	7.56	1.18	8.74	1.06	---	5.12	1.18	1.14	3.29	4.02	4.92	3/8-16*.059	1/2-13*.071	1/4
PN-181	F14	18.98	1.42	4.02	4.02	8.74	1.18	9.92	1.18	---	5.12	1.18	1.54	2.36	5.51	---	5/8-11*.098	---	1/4
PN-201	F14	20.94	1.42	4.41	4.41	9.61	1.18	10.79	1.18	---	5.12	1.18	1.54	2.48	5.51	---	5/8-11*.098	---	1/4
PN-241	F16	26.06	1.81	5.24	5.24	11.34	1.18	12.52	1.18	---	5.12	1.18	1.93	3.35	6.50	---	3/4-10*1.18	---	1/4
PN-271	F16	28.74	1.81	6.02	6.02	12.72	1.18	13.90	1.18	---	5.12	1.18	1.93	4.17	6.50	---	3/4-10*1.18	---	1/4